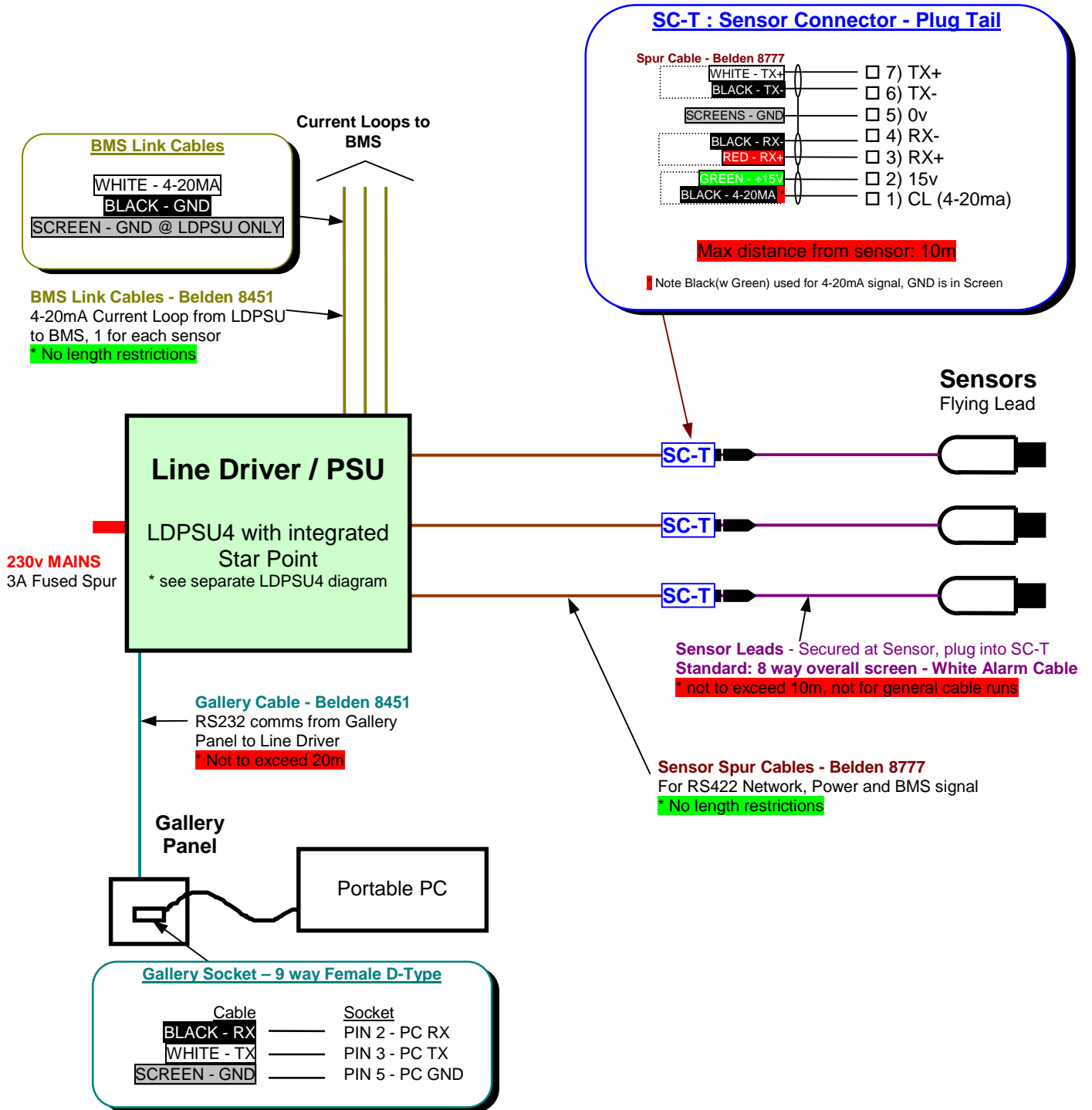


NILS System Wiring – Star Wiring – Leaded (Plug Tail) Sensors

Using the new LDPSU4-S for Star Wiring sensors from a central location

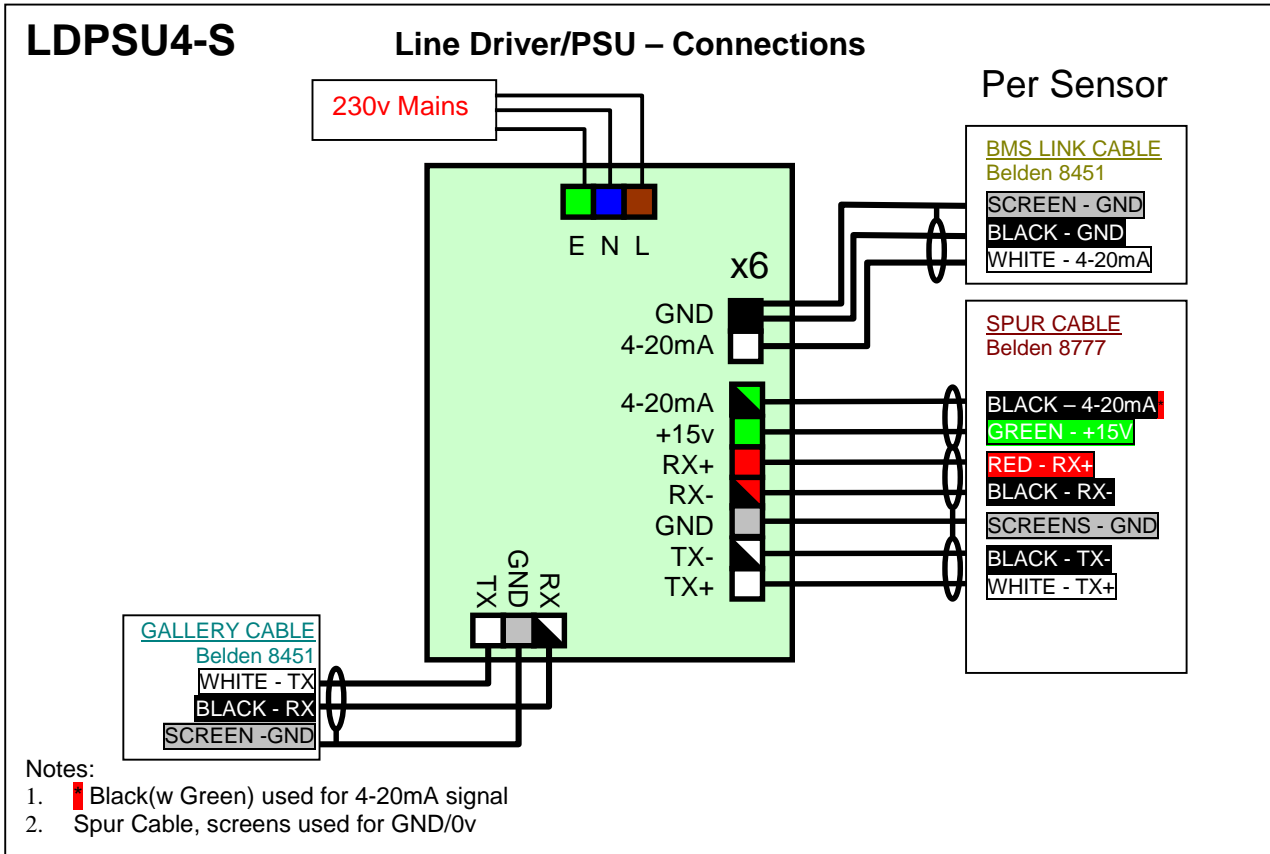


Notes:

1. The Star Point allows for connection of up to 6 Sensor Spur Cables
2. BMS link cable screens are grounded in LDPSU/JB, and the screens should not be connected at the BMS

Drawing # : NB/NILS/SW3La Rev1

System Wiring Details - LDPSU4-S



Drawing # : NB/NILS/SW3Lb Rev1